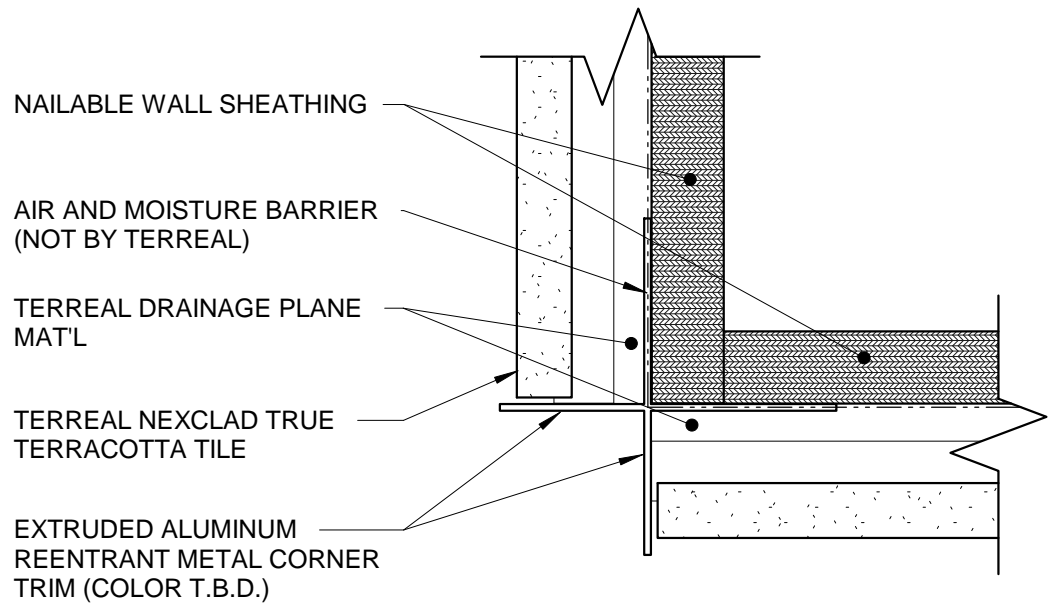


AXON. VIEW



PLAN DTL

6" = 1'-0"



P.O. BOX 309 New Lexington, Ohio 43764
 Telephone: (888) 582-9052 Fax: (740) 342-1906
www.terrealna.com

SYSTEM:	NeXclad True
DETAIL #:	NXT-P003
Description:	EXTERIOR CORNER - REENTRANT METAL TRIM - PLAN DETAIL
Building Construction:	T.B.D.
Drawing Date:	2018.12.10
Scale:	6" = 1'-0"
Terreal N.A. Reference #:	NeXclad True NXT-P003.

The information contained on this drawing is the sole property of Terreal North America. Any reproduction in part or whole without the written permission of Terreal North America is strictly prohibited. Terreal North America reserves the right to modify the configuration of item(s) shown without prior written notice when deemed necessary for product development and/or enhancement.